

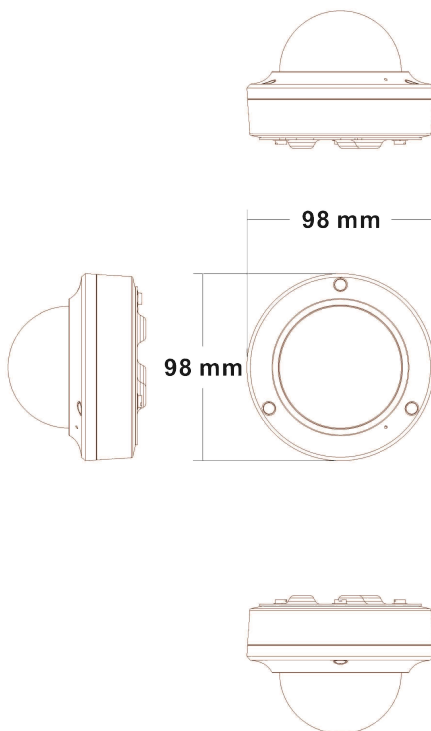


**DI-D200PI**

## Features

- ❖ 1/2.8" Sony Starvis Back-illuminated CMOS sensor
- ❖ AHD / CVI / TVI / CVBS 4 IN 1
- ❖ AHD / TVI / CVI / CVBS: 2M @ 25fps/30fps
- ❖ f = 2.8mm Fixed Lens
- ❖ Auto Color to B/W at Low illumination
- ❖ Support ICR Switch, True day / night
- ❖ IR Distance Max. 20m
- ❖ Support Noise Reduction
- ❖ IP67 & IK10 Ingress Protection
- ❖ Support OSD Manual & UTC

## Dimension



## Specifications

| Model No.             | DI-D200PI   |
|-----------------------|---|
| <b>Specifications</b> |   |
| Image Sensor          | 1/2.8" SONY Starvis Back-illuminated CMOS sensor                    |
| Image Resolution      | 2M:1920*1080  |
| Effective Pixels      | 25/30fps@1920 x 1080  |
| Video Output          | AHD / CVI / TVI / CVBS  |
| TV System             | PAL / NTSC  |
| Electronic Shutter    | Auto; 1 / 25s ~ 1 / 50,000s ( PAL ); 1 / 30s ~ 1 / 60,000s ( NTSC ) |
| IR Distance           | 20 m  |
| Frame Rate            | 30fps ( 60Hz ), 25fps ( 50Hz )                                      |
| Focus Control         | Fixed   |
| Lens                  | 2.8 mm, (Horizontal Viewing Angle :101°)                            |
| Lens Type             | Fixed   |
| S / N Ratio           | ≥ 50dB  |
| Scanning System       | Progressive Scan  |
| <b>Functions</b>      |   |
| Dip Switch            | Optional  |
| Day & Night           | Yes   |
| Digital WDR           | Yes   |
| UTC                   | Yes   |
| OSD Menu Language     | Yes   |
| Picture Adjustment    | Yes   |
| Gain Control          | Auto  |
| White Balance         | Auto,Manual   |
| BLC                   | Yes   |
| Noise Reduction       | 3DNR  |
| IR Status             | AGC Auto Control  |
| IR Power On           | Smart IR control  |
| Housing               | IP67, IK10, Metal   |
| IR Cut Filter         | Yes   |
| Infrared LED          | 14μ x 12PCS   |
| Angle Adjustment      | Any angle   |
| <b>Others</b>         |   |
| Power Supply          | DC12V ( ± 10% ), 450mA  |
| Operation Temperature | -10°C ~ +60°C RH 95% Max  |
| Working Environment   | -20°C ~ +60°C RH 95% Max  |
| Dimensions ( mm )     | 98(W) x 98(H) x 72(D)mm   |