

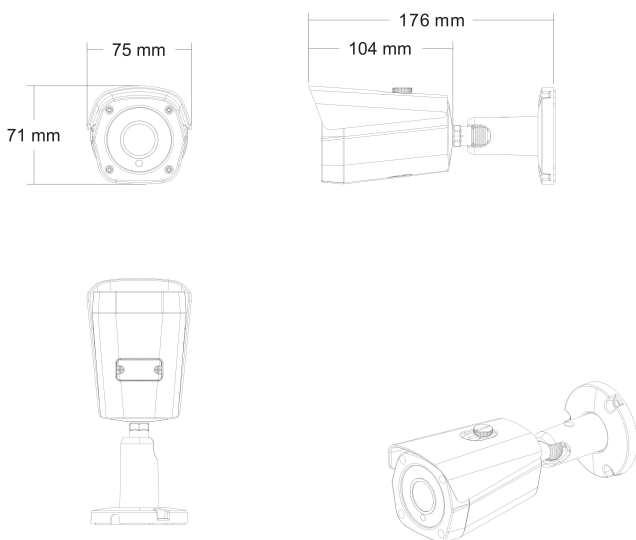


**DI-B500BB**

## Features

- ❖ 1/2.8" Sony Starvis Back-illuminated CMOS sensor
- ❖ AHD / CVI / TVI / CVBS 4 IN 1
- ❖ AHD / TVI / CVI / CVBS: 5M @ 20fps
- ❖ f = 2.8mm Fixed Lens
- ❖ Auto Color to B/W at Low illumination
- ❖ Support ICR Switch, True day / night
- ❖ IR Distance Max. 25m
- ❖ Support Noise Reduction
- ❖ IP67 Ingress Protection
- ❖ Support OSD Manual & UTC

## Dimension



## Specifications

Model No.	DI-B500BB
<b>Specifications</b>	
Image Sensor	1/2.8" SONY Starvis Back-illuminated CMOS sensor
Image Resolution	5M:2592*1944 4M:2560*1440 2M:1920*1080
Video Output	AHD/TVI: 5M@20fps,4M/2M@30fps CVI: 4M@30fps, 2M@30fps
TV System	PAL / NTSC
Electronic Shutter	Auto; 1 / 25s ~ 1 / 50,000s ( PAL ); 1 / 30s ~ 1 / 60,000s ( NTSC )
IR Distance	25 m
Frame Rate	30fps ( 60Hz ), 25fps ( 50Hz )
Focus Control	Fixed
Lens	2.8 mm, (Horizontal Viewing Angle :101°)
Lens Type	Fixed
S / N Ratio	≥ 50dB
Scanning System	Progressive Scan
<b>Functions</b>	
Dip Switch	Optional
Day & Night	Yes
Digital WDR	Yes
UTC	Yes
OSD Menu Language	Yes
Picture Adjustment	Yes
Gain Control	Auto
White Balance	Auto,Manual
BLC	Yes
Noise Reduction	3DNR
IR Status	AGC Auto Control
IR Power On	Smart IR control
Housing	IP67, Metal
IR Cut Filter	Yes
Infrared LED	14μ x 20PCS
Angle Adjustment	Any angle
<b>Others</b>	
Power Supply	DC12V ( ± 10% ), 700mA
Operation Temperature	-10°C ~ +60°C RH 95% Max
Working Environment	-20°C ~ +60°C RH 95% Max
Dimensions ( mm )	176(W) x 75(H) x 71(D)mm