

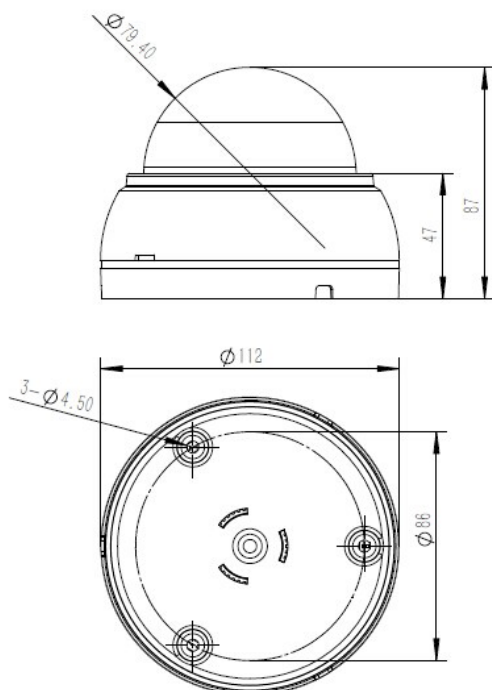


DI-D200PIR

Features

- ❖ 1/2.8" Sony Starvis Back-illuminated CMOS sensor
- ❖ AHD / CVI / TVI / CVBS 4 IN 1
- ❖ AHD / TVI / CVI / CVBS: 2M @ 25fps/30fps
- ❖ f = 2.8~12mm Varifocal Lens
- ❖ Horizontal Viewing Angle : 98° ~ 33°
- ❖ Auto Color to B/W at Low illumination
- ❖ Support ICR Switch, True day / night
- ❖ IR Distance Max. 25m
- ❖ Support Noise Reduction
- ❖ Support OSD Manual & UTC

Dimension



Specifications

Model No.	DI-D200PIR
Specifications	
Image Sensor	1/2.8" SONY Starvis Back-illuminated CMOS sensor
Image Resolution	2M:1920*1080
Effective Pixels	25/30fps@1920 x 1080
Video Output	AHD / CVI / TVI / CVBS
TV System	PAL / NTSC
Electronic Shutter	Auto; 1 / 25s ~ 1 / 50,000s (PAL); 1 / 30s ~ 1 / 60,000s (NTSC)
IR Distance	25 m
Frame Rate	30fps (60Hz), 25fps (50Hz)
Focus Control	Manual
Lens	2.8~12 mm, (Horizontal Viewing Angle : 98° ~ 33°)
Lens Type	Varifocal
S / N Ratio	≥ 50dB
Scanning System	Progressive Scan
Functions	
Dip Switch	Optional
Day & Night	Yes
Digital WDR	Yes
UTC	Yes
OSD Menu Language	Yes
Picture Adjustment	Yes
Gain Control	Auto
White Balance	Auto, Manual
BLC	Yes
Noise Reduction	3DNR
IR Status	AGC Auto Control
IR Power On	Smart IR control
Housing	Plastic
IR Cut Filter	Yes
Infrared LED	16μ x 8PCS
Angle Adjustment	Any angle
Others	
Power Supply	DC12V (± 10%), 500mA
Operation Temperature	-10°C ~ +60°C RH 95% Max
Working Environment	-20°C ~ +60°C RH 95% Max
Dimensions (mm)	112(W) x 87(H) x 72(D)mm