

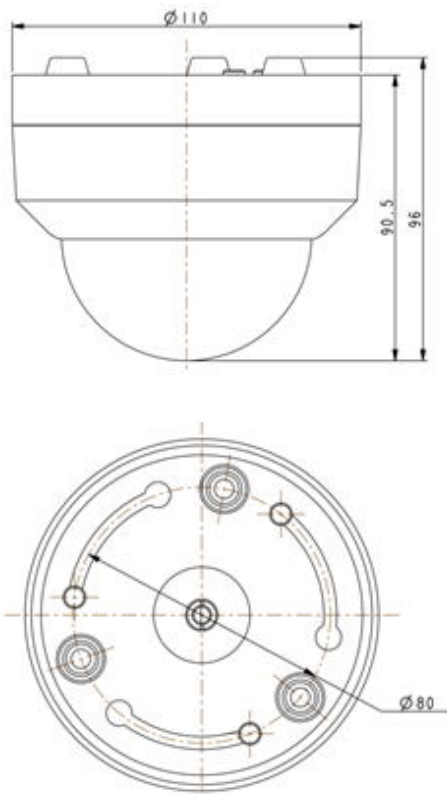


DI-PT4XD500

Features

- ❖ 1/2.9"SONY 2.1MP CMOS Sensor
- ❖ AHD / CVI / TVI 3 IN 1
- ❖ AHD / TVI / CVI : 5M @ 20fps
- ❖ f = 2.8mm-12mm
- ❖ 4X Optical Zoom
- ❖ Support ICR Switch, True day / night
- ❖ IR Distance Max. 60m
- ❖ Support Noise Reduction
- ❖ IP67 Ingress Protection
- ❖ Support OSD Manual & UTC
- ❖ Support Pelco D & P

Dimension



Specifications

| Model No. | DI-PT4XD500 |
|---------------------------|---|
| Specifications | |
| Image Sensor | 1/2.9" SONY 2.1MP CMOS Sensor |
| Image Resolution | 5M:2592*1944 |
| Video Output | 3IN1: AHD/HD-TVI/CVBS |
| Focus Length | 2.8mm-12mm |
| Focus Control | 4X Optical Zoom |
| Electronic Shutter | Auto; 1 / 25s ~ 1 / 50,000s (PAL); 1 / 30s ~ 1 / 60,000s (NTSC) |
| Horizontal Rotation Speed | 20°/S |
| Horizontal Rotation Range | 0°~355° |
| Tilt Rotation Speed | 25°/s |
| Tilt Rotation Range | 0°~70° |
| Preset Points | 220 |
| Guard Tours | 8 groups |
| Guard Points | Max.16 points |
| S / N Ratio | ≥ 50dB |
| TV System | PAL/NTSC |
| Infrared LED | φ 35x4PCS |
| IR Range | 60m |
| Day-night mode | AUTO |
| UTC | Support |
| RS485 | Support |
| Weatherproof | IP67 |
| Operating Temperature | Indoor: 0°~ +40° Outdoor: -40°~ +60° |
| Operating Humidity | ≤90% Non Condensing |
| Power | DC12V 2A |
| Lightning Protection | Transient voltage 6000V |
| Dimensions (mm) | 110(W) x 90.5(H) mm |

Accessories



DI-B271