



DI-1232ZJ-T/BJH

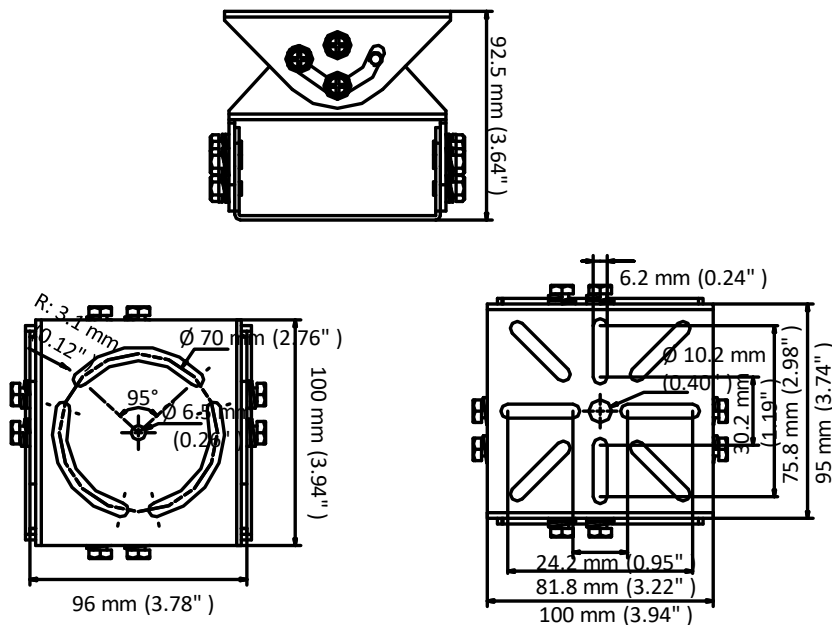
PT Joint



Feature

- ☒ Steel and stainless steel with surface spray treatment
- ☒ Adjustable tilt angle from -90° to 90° , and pan angle from 0° to 90°

Dimension



Available Model

DI-1232ZJ-T/BJH

Parameter

Model	DI-1232ZJ-T/BJH
Parameters	PT Joint
Appearance	DiSS White
Material	Steel and Stainless Steel
Dimension	100 mm × 100 mm × 92.5 mm (3.94" × 3.94" × 3.64")
Weight	850 g (1.87 lb.)

Note

- ☒ The joint's maximum load capacity is 6 kg (13.2 lb.).

*All pictures and specifications are for reference only and are subject to change without prior notice.