



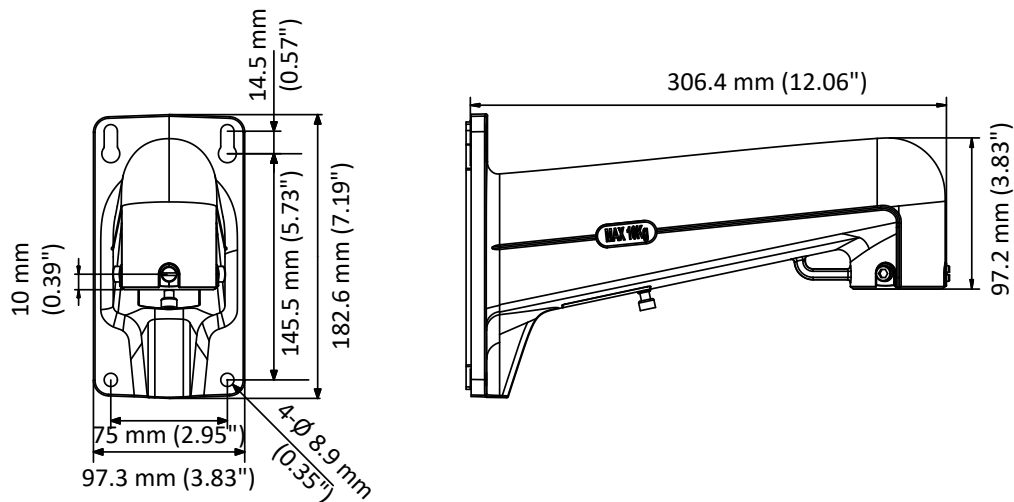
DI-1602ZJ-P

Wall Mount for Speed Dome

Feature

- ☒ Aluminum alloy with surface spray treatment
- ☒ The hook for safety rope facilitates speed dome's installation
- ☒ Waterproof design

Dimension



Available Model

DS-1602ZJ-P

Parameter

Model	DI-1602ZJ-P
Parameters	Wall Mount for Speed Dome
Appearance	DiSS Gray
Material	Aluminum Alloy
Dimension	306.4 mm × 182.6 mm × 97.3 mm (12.06" × 7.19" × 3.83")
Weight	1050 g (2.31 lb.)

Note

- ☒ The mount should be installed on the flat surface.
- ☒ The waterproof rubber is necessary for the outdoor application.
- ☒ The wall must be capable of supporting at least 3 times as much as the total weight of the speed dome and the mount.
- ☒ The mount's maximum load capacity is 10 Kg (22 lb.).

*All pictures and specifications are for reference only and are subject to change without prior notice.