



DI-1701ZJ/HWB

Hoop & Bracket



- Wall mount bracket.
- Comes with 4 × M8 swell screws.
- Galvanized steel sheet and steel material with surface spray treatment.
- Can be used for supplemental light and new housing traffic unit.
- Outdoor white color.

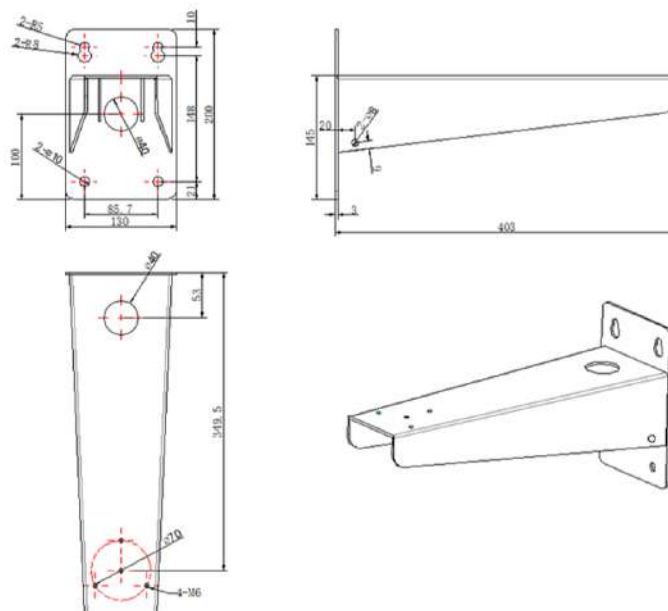
▪ Specification

Parameters	
Dimension	403 mm × 200 mm × 130 mm
Weight	Approx. 2.66 kg (5.86 lb.)
Max. Load Capacity	Approx. 15 kg (33.07 lb.)
Appearance	DiSS White
Material	Galvanized steel sheet and Steel(sus304)

▪ Available Model

DI-1701ZJ/HWB
DI-1701ZJ/HWB/316

▪ Dimension



*All pictures and specifications are for reference only and are subject to change without prior notice.