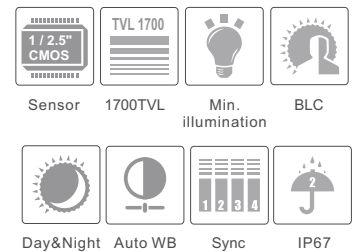


VTC-E500EL

5MP HD Analog IR Dome Camera



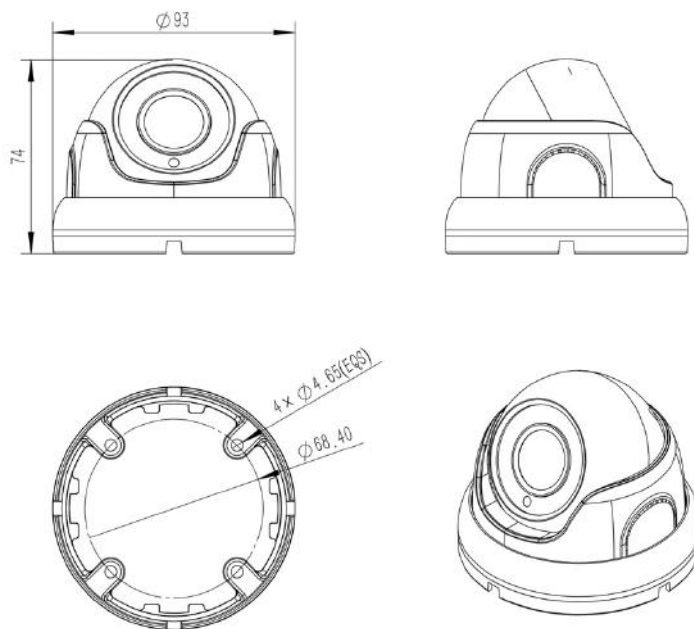
- 5MP@20fps/4MP@30fps high resolution, true color AHD / TVI / CVI
- standard and lossless video output
- Up to 1700 TVL resolution
- CMOS progressive scan, perfectly capture the moving object
- Support OSD menu
- High speed, long distance and real time transmission
- Auto color to B / W at low illumination
- Support ICR switch, true day / night
- Support noise reduction function
- 20m IR night view distance
- IP67
- Support 960H CVBS output



SPECIFICATIONS

Model	VTC-E500EL
Specifications	
Camera	
Image Sensor	1 / 2.5 "CMOS
Image Resolution	5M:2592*1944 4M:2560*1440 2M:1920*1080
Video Output	AHD / TVI /CVI /CVBS
Image System	PAL / NTSC
Electronic Shutter	Auto
IR Distance	20 m
Frame Rate	20~30fps
Min. Illumination	Color : 0.03 lux@F2.0, AGC ON; B/W : 0 lux with IR
Lens	2.8mm
Lens Mount	M12
S / N Ratio	≥52dB (AGC OFF)
Ingress Protection	IP 67
Functions	
Function Control	OSD
Day & Night	ICR
Digital WDR	Yes
3D NR	Yes
AGC	No
White Balance	AUTO / MANUAL
IR Cut Filter	Yes
IR Status	AGC Auto Control
Infrared LED	14μ x 18PCS
Saturation	Yes
Sharpness	Yes
Contrast	Yes
Smart IR	Yes
UTC	Yes
Coaxial Audio	YES(only TVI)
Noise Reduction	DNR
Gain Control	AUTO
Others	
Power Supply	DC12V (± 10%)
Power Consumption	IR OFF : < 2W; IR ON : < 4.5W
Working Environment	-10°C ~ +60°C RH95% Max
Dimensions (mm)	φ93 x 74(H) mm
Weight (net)	400g

DIMENSIONS



AVAILABLE MODEL

Available Model	VTC-E500EL
-----------------	------------