

VT-CEO

100M Coaxial Cable EOC Converter



Overview

Through coaxial cable transmission, can provide 100Mbps network flow with regular video cable or twisted pair; Built-in transmitting circuit and receiving circuit and each converter is capable of transmitting and receiving function. Simple to use, no hardware or software debugging, no IP setting, just connecting the video cable to work normally.

Feature

- Plug and play, no need to set.
- Long distance network extended and can be up to 200 meters.
- Support multi-point access, one point to multi-point access.
- Long distance centralized power supply, the effect is equivalent to PoE power supply.
- Transmission via coaxial cable, twisted pair, telephone line and other transmission media.

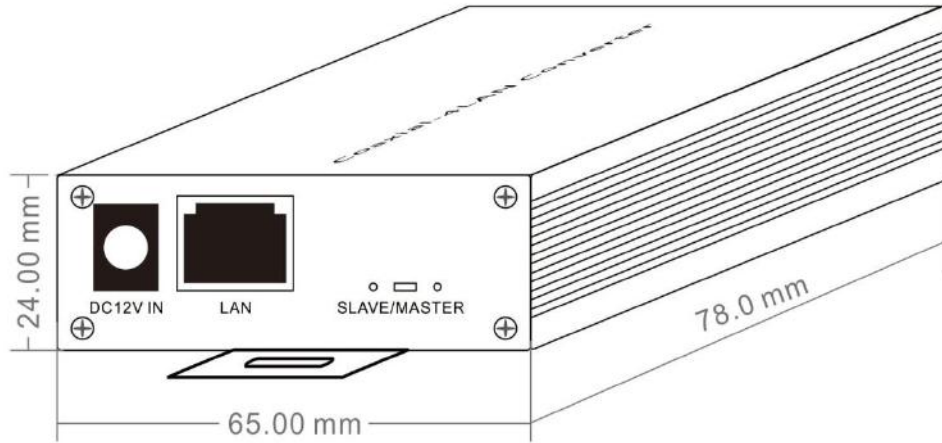
Due to the wires selection diversity, all the original wires in the analog camera can be used as the transmission medium, no need re-wiring. Thus, just replacing the front camera, plus EOC transmitter device, you can upgrade the analog systems to HD digital network, save wiring time, manpower and material resources.

- Analog monitoring surveillance and HD network upgrading without replacing the coaxial cable.
- There must be two or more transmissions, the same link(within the same physical coaxial or twisted pair) just set up the master device to support multiple devices work simultaneously.

Specifications

Model No.	VT-CEOC
Transmission Media	Coaxial Cable
Network Port	10/100M auto-sensing RJ45 port
Transmission Range/Rate	Cable length less than 400M—92Mbps Cable length less than 1000M—74Mbps Cable length less than 2000M—30Mbps
Coaxial Input/Output	BNC Port / 75 ohm
LED Light Status	Network cable connected right – LED light is on Video cable connected right –LED light is flashing
Master Slave Setting	1 digit dial code switch
Power Supply	12VDC,180mA
Max Power	2.2W
Working Temperature	-20°C to 40°C
Relative Humidity	5%~95%, no condensation
Dimension	78*65*24mm
Weight	55g

DIMENSION:



APPLICATION:

