

VT-G2PE

Gigabit 3-Port PoE switch



Overview

The VT-G2PE is a gigabit PoE switch independently developed by ONV. It has 3*10/100/1000M adaptive RJ45 ports. Port 1-4 can support IEEE 802.3 af/at PoE standard and single-port PoE power reaches 30W. Adding a 10M/250m functional switch to the PoE power port breaks through the twisted-pair transmission limit of 100 meters, effectively solving network transmission within 200 meters.

Interface

- 2*10/100/1000Base-T PoE ports (Data/Power)
- 1*10/100/1000Base-T uplink RJ45 port (Data)

Feature

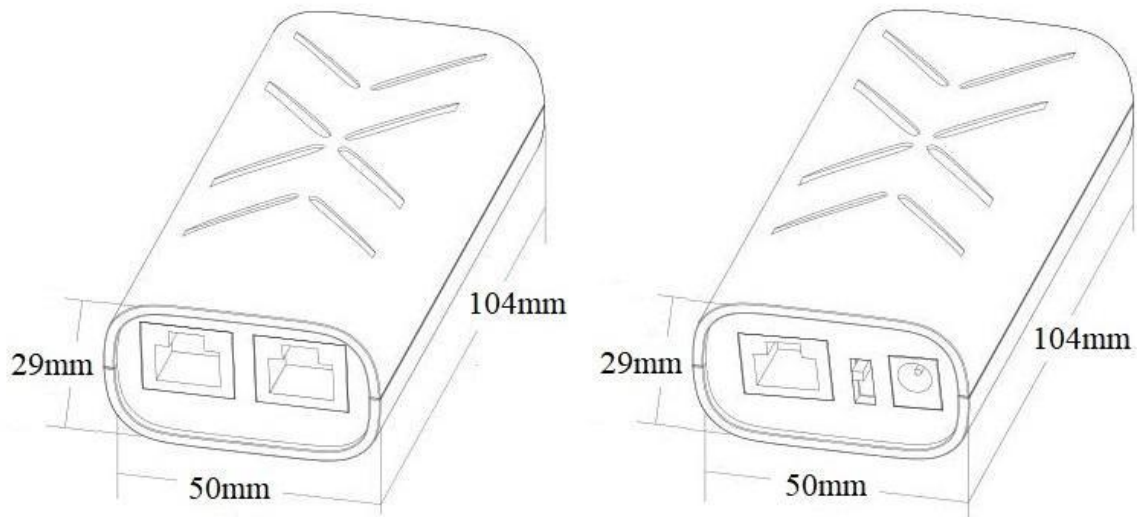
- Gigabit access, full wire speed forwarding
- Smart PoE power supply
- Stable and reliable
- Unmanaged model, plug and play no configuration, easy to use.

Specifications

Model No.	VT-G2PE
Interface	2*10/100/1000Base-T PoE ports (Data/Power) 1*10/100/1000Base-T uplink RJ45 port (Data)
PoE Specification	PoE Standard: IEEE802.3af/ IEEE802.3at
	PoE ports: 2-Port support PoE
	Power Output:
	Max. 15.4 watts (IEEE 802.3af)
	Max. 30 watts (IEEE802.3at)
	PoE port Auto detect AF/AT devices
Network Protocols	IEEE 802.3 10BASE-T
	IEEE 802.3i 10Base-T
	IEEE 802.3u 100Base-TX IEEE802.3ab 1000Base-T IEEE 802.3x
Ethernet Port	Port 1-3 support 10/100/1000Base-T auto-sensing, full/ half duplex MDI/ MDI-X self-adaption
Twisted Pair Transmission	10BASE-T: Cat3,4,5 UTP (≤250 meters) 100BASE-TX: Cat5 or later UTP (≤100 meters) 1000BASE-T: Cat5e or later UTP(≤100 meters)

Performance Specification	<p>Bandwidth: 12Gbps (Non-blocking)</p> <p>Packet Buffer Memory: 2M</p> <p>Pack Forwarding Rate: 4.46Mpps</p> <p>MAC Address Table: 2K</p>
Functional Switch	<p>100m: 100 meters transmission</p> <p>250m: 10M/250 meters transmission, default off</p>
LED Indicator	Power: PWR (Green), Data: Link (Yellow), POE: PoE (Green)
Total PWR / Input Voltage	65W/ DC52V
Power Consumption	Standby<4W, Full load<65W
Power Supply	External power adapter, AC100-240V 50-60Hz, 1.1A
Operation TEMP/ Humidity	-20°C~+55°C, 5%~90% RH Non condensing
Storage TEMP/ Humidity	-40°C~+75°C, 5%~95% RH Non condensing
Dimension (L*W*H)	104*50*29mm
Net /Gross Weight	0.15kg /0.55kg
Installation	Desktop, wall mount
Lightning Protection	Lightning protection: 4KV 8/20us, Protection level: IP30
Certification	<p>CCC, CE mark, commercial, CE/LVD</p> <p>EN62368-1, FCC Part 15 Class B, RoHS</p>

DIMENSION



APPLICATION

